

LED UFO HIGH BAY LIGHT GC015 SERIES

LED UFO GC015

APPLICATIONS

Industrial building, Warehouse, Workshop, Supermarket, Exhibition Hall, Gym, Stadium, etc.

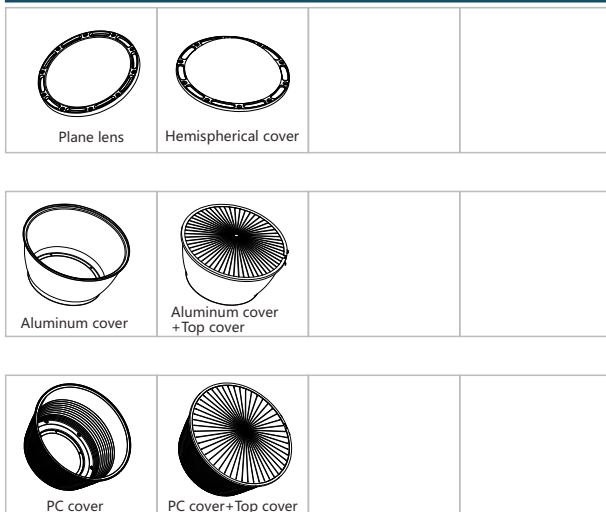


FEATURES

1. Die-cast aluminum body, spray molded handling make the round appearance more exquisite. Perfect heat dissipation.
 2. The power supply can adopt different schemes of isolated power supply, constant current isolated, 0-10 dimming, switching off power supply and non-isolated power supply. And the power brand is compatible, such as own brand UVL, Meanwell HBG series, Inventronic EUR series, MOSO LTP and MTP series and Dali dimming power supply and the SOSENG round power supply.
 3. Chip options: CREE3030, Lumileds 3030, 2835.
 4. Ip 65 design (wet location).
 5. Input voltage 100-277v, 347-480v.
 6. Designed with waterproof breathing plug, can eliminate the exhaust gas inside the lamp and the working temperature, and extend the service life of the lamp.
 7. Beam Angle 60° , installation height 15-30m; Beam Angle 90° , installation height 8-15m; Beam Angle 120° , installation height <8m;
- Different covers: Aluminum Cover, PC cover, Semisphere pc cover.
8. Color temperature 2700-6500k, CRI Ra70、 Ra80、 Ra90
 9. Motion sensor, Photocell, Battery backup Unit is optional
 10. Installation: Lifting ring, Lifting hook, 1/2 Pipe, 3/4 Pipe and wall mounting.
 11. Ambient temperature -25°C ~45°C
 12. Life, L90>36000Hrs, L70>54000Hrs

ALTERNATE FITTINGS

Decorative Driver Cover



Installation Diagram



Microwave sensor



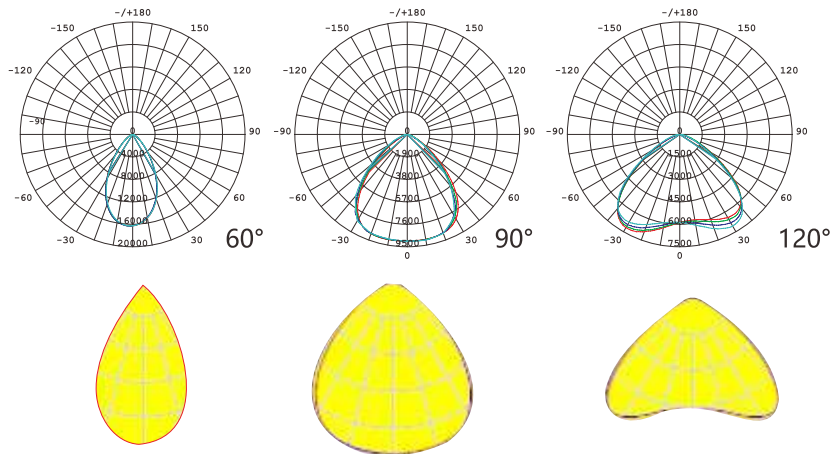
PIR sensor



BBU lighting

LED UFO HIGH BAY LIGHT GC015 SERIES

PHOTOMETRICS



LUMINAIRE AMBIENT TEMPERATURE FACTOR(LATF)

AMBIENT TEMPERATURE		LUMEN MULTIPLIER
0°C	32°F	1.02
10°C	50°F	1.01
20°C	68°F	1.00
25°C	77°F	1.00
30°C	86°F	1.00
40°C	104°F	0.99
50°C	122°F	0.98

Use these factors to determine relative lumen output for average ambient temperatures from 0-50C(32-122F) °

ISOLATION POWER PRODUCT DIMENSIONS

Ring				
Hook				
Microwave				
Pir				
BBU				

LED UFO HIGH BAY LIGHT GC015 SERIES

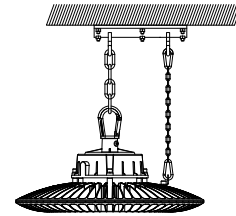
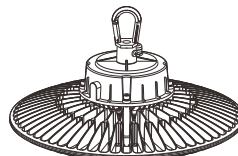
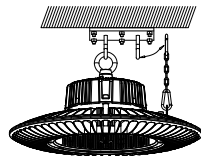
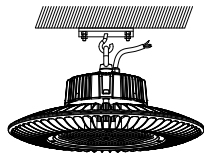
ISOLATION POWER SPECIFICATION SHEET

Item description	LEDGC50W015B	LEDGC80W015B	LEDGC100W015B	LEDGC120W015B	LEDGC150W015B	LEDGC180W015B	LEDGC200W015B	LEDGC240W015B
(Φ)Fixture Diameter [mm]	270	270	270	320	320	360	360	430
(H)Fixture Height [mm]	110	158	158	162	162	172	172	201.5
Input voltage [VAC]	100-277VAC	100-277VAC/347-480VAC						
Input frequency [HZ]	50/60							
Input current [A]	0.22 (230V)	0.35 (230V)	0.44 (230V)	0.53 (230V)	0.66 (230V)	0.79 (230V)	0.87 (230V)	1.05 (230V)
Input wattage [W]	50W±5%	80W±5%	100W±5%	120W±5%	150W±5%	180W±5%	200W±5%	240W±5%
Power factor	0.95							
Voltage [V]	42							
Current(reference) [A]	1.05	1.72	2.19	2.57	3.29	3.95	4.38	5.26
Wattage(reference) [W]	44±5%	72±5%	92±5%	108±5%	138±5%	166±5%	184±5%	221±5%
Power efficiency [%]								
Luminous flux [Lm]	6750@Ra70	11200@Ra70	14000@Ra70	17160@Ra70	21750@Ra70	26100@Ra70	27000@Ra70	34000@Ra70
Colour temperature [K]	3000-6500							
Colour rendering index [Ra]	70/80							
Lumen maintenance(2000h) [%]	90@36000h							
Surge immunity(Meanwell)	Line-Earth:4KV, Line-Line:2KV							
Beam angle [H, V]	90°、120°			60°、90°、120°、				
Average life [h]	54000							
Net weight [Kg]	2.1/set	2.3/set	3.2/set	3.4/set	3.4/set	4.1/set	4.1/set	6.1/set
Gross weight [Kg]	2.7/set	2.9/set	2.9/set	4.2/set	4.2/set	5.0/set	5.0/set	7.6/set
IP	I P65							
Work environmental temperature[°C]	-25°C-45°C							

LED UFO HIGH BAY LIGHT GC015 SERIES

INSTALLATION:

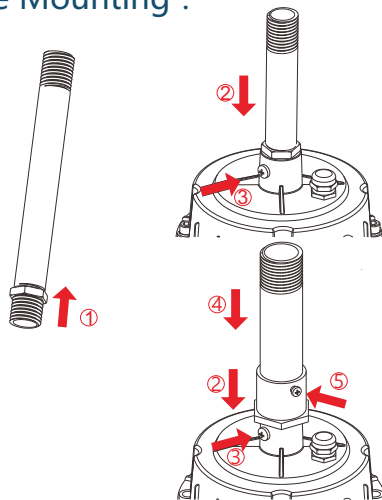
1) Hook Mounting



1. Push down the retainer spring on the hook until there is enough space to secure the hook to the ceiling structure or pendant chain(Figure1).
2. Once the hook is securely mounted, release the retainer spring to its original position.
3. Connect the power cord to supply wires using UL listed wire connectors. Make sure the safety chain is hung to the ceiling structure or pendant chain(Figure2).

Note1: The Chain and stainless cable is optional.

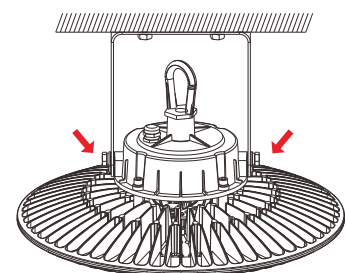
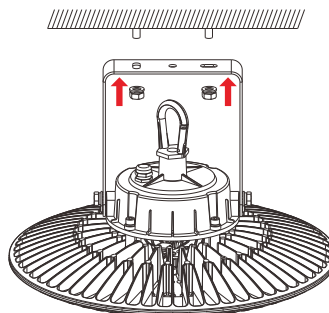
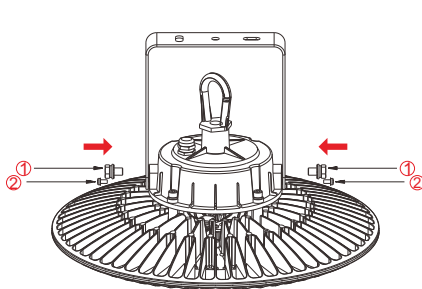
2) Pipe Mounting :



1. Add nuts to the G1/2 pipe as Figure shown.
2. Connect the pipe to the driver.
3. Fasten the screws on the driver.

1. Add nuts to the G 1/2 pipe.
2. Add the adapter to the driver.
3. Lock the adapter with bolts at two sides.
4. Add the pipe to the adapter.
5. Lock the adapter with screws.

3) Wall Mounting :



⚠ WARNING !

- 1、 When installing lamps and lanterns, the anti-fall chain must be installed reliably, so as not to fall off the lamps and lanterns in the process of use. To avoid causing property damage and casualties.
- 2、 When the lamp input terminal is connected, the grounding wire must be connected to avoid the lamp early failure and electricity safety.
- 3、 When the ambient temperature is lower than -40°C , the lamp will be affected. When the ambient temperature is higher than 50°C , the working life of the lamp power supply will be shortened, and the pearl light decline of LED lamp will accelerate.
- 4、 Must power off during the maintenance operation, and keep following the safe operation mode.