

GC020 Series

- The light is designed as die-casting aluminum, with smooth lines and elegant appearance, is an ideal product for indoor lighting.
- Input voltage generally 120-240V, 120-277V, 277-480V optional.
- Matched with plug-in 12VDC micro wave sensor, PIR, Bluetooth (WIFI, ZIGBEE) sensor; 0-10v interface for more control ways.
- Installation suspended, pipe, wall mounting options. Input cable comes from the installation pipe makes the light elegant appearance.
- The light housing color options: Texture white, black, bronze, silver grey etc., customized color available according to the building style.
- Wattage adjustable, could adjust the power after installation as required.
- The optical lens 60°, 90°, 120° for options to match with different lighting density and installation height.
- IP65, ambient temperature -40°C ~ 40°C
- Good heat dissipation and scientific optical design makes the light much comfortable performance.



CE IP65 5 Years

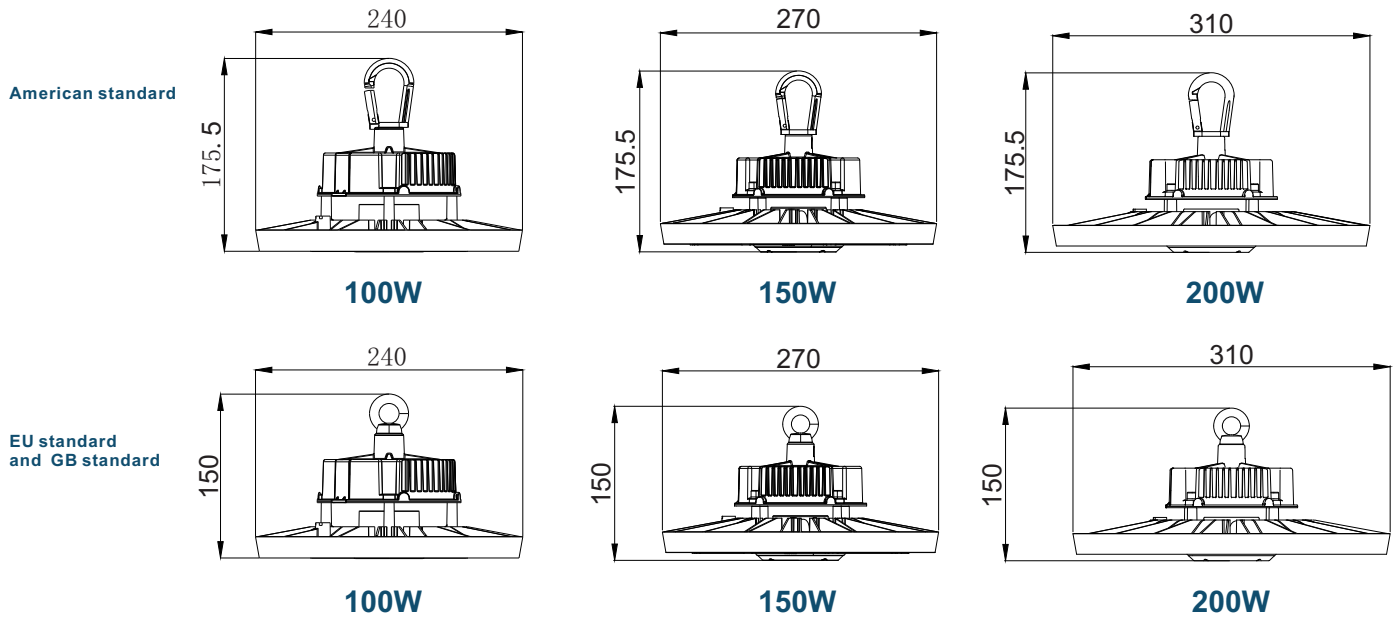
Applications

GC020 highbay with high luminous, long life, high energy saving and high cost-effective, suitable for industrial, commercial, sports lighting places, and plant lighting

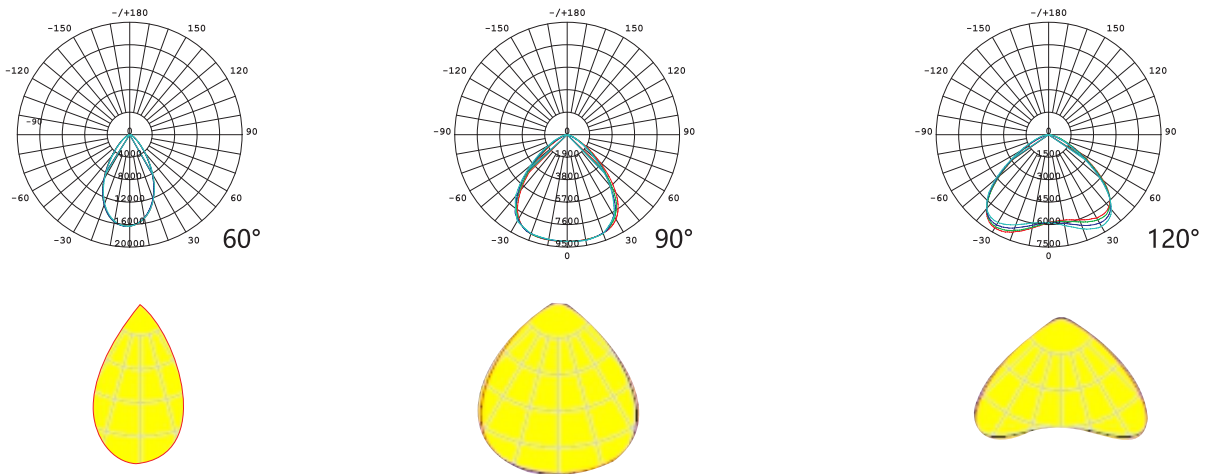
General Information

	100W	150W	200W
Work voltage	100-277VAC		
Input current	0.36-1A	0.54-1.5A	0.72-2A
Luminous flux	15000Lm@5000K	22500Lm@5000K	30000Lm@5000K
Power factor	≥0.9		
Input harmonics	≤10		
Work environmental temperature	-40°C~40°C		
Average life	50000H		
Surge voltage	L-N:3000V L/N-GND: 6000V		
Dimming method	0-10V		
Lumen maintenance	90%(2000h)		
Demensions	φ240*150mm	φ270*150mm	φ310*150mm

Dimensions

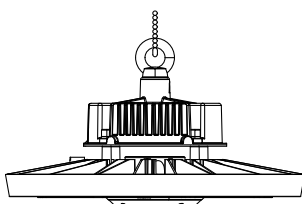


Photometrics

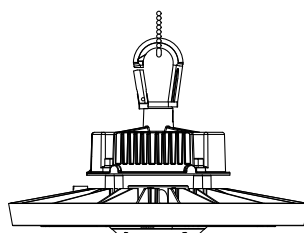


Installation

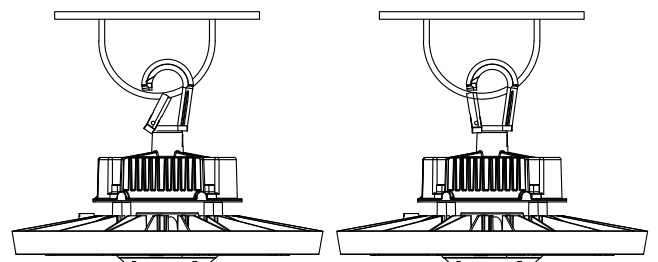
- Suspended Installation EU



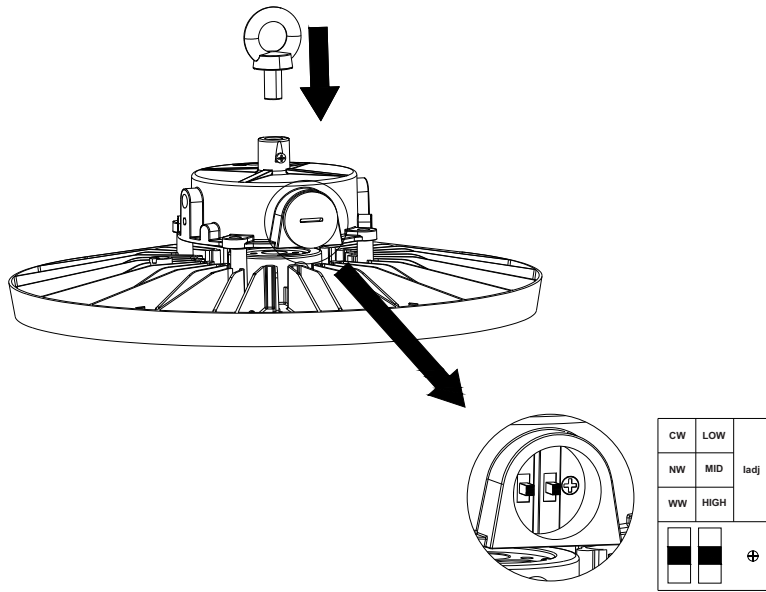
- Suspended Installation US



- Closed loop suspended installation



LED UFO HIGH BAY



As shown in the figure, unscrew the plug of driver housing, toggle the dip switch to adjust the required CCT/Power and screw on the plug.